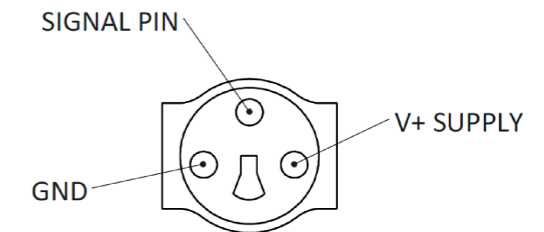


# TDA2 - TDA HERITAGE Ø48-50

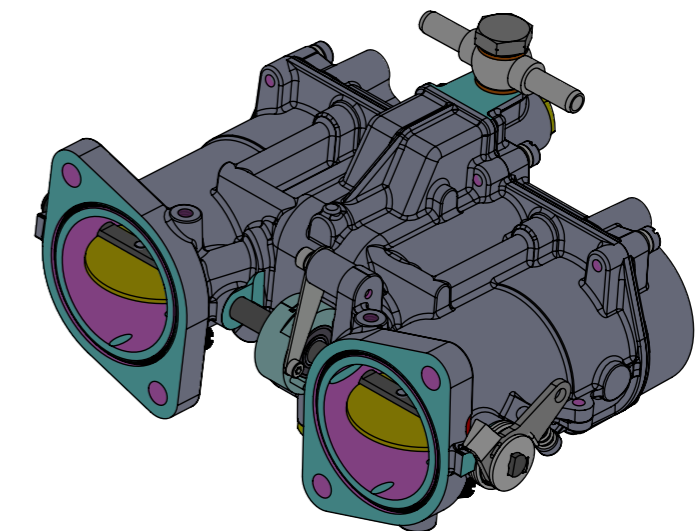
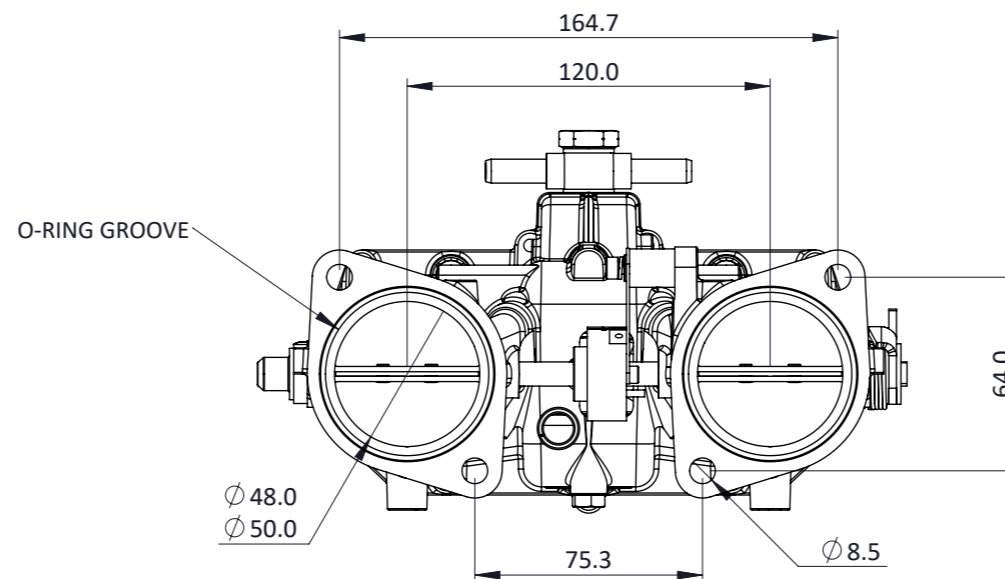
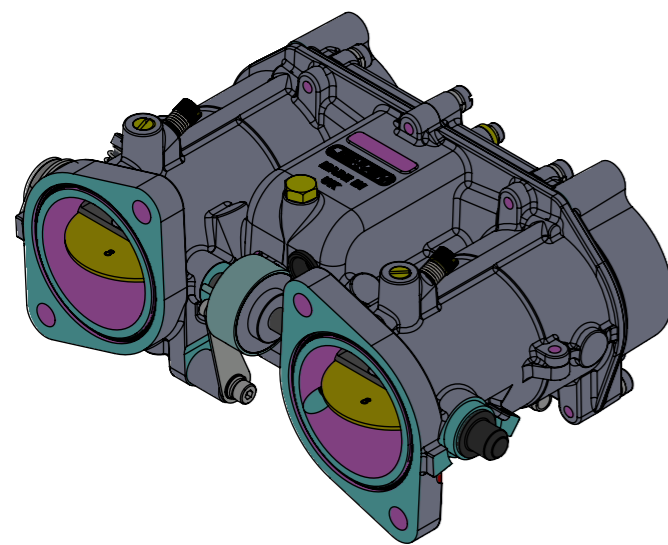
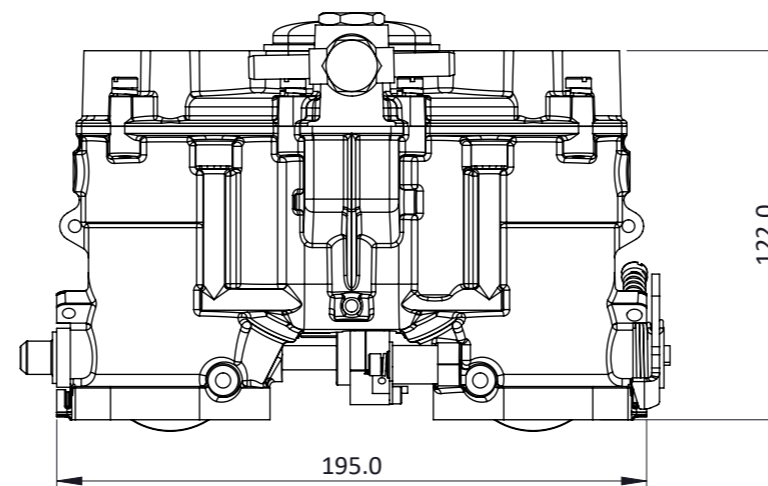
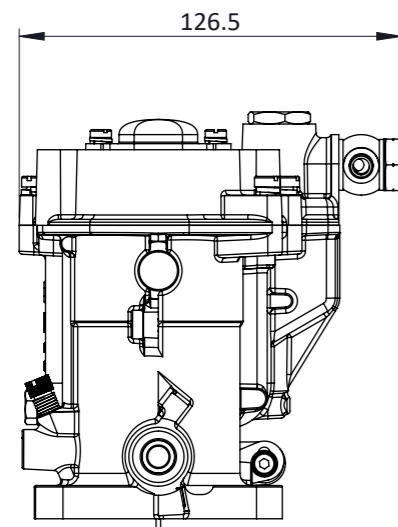
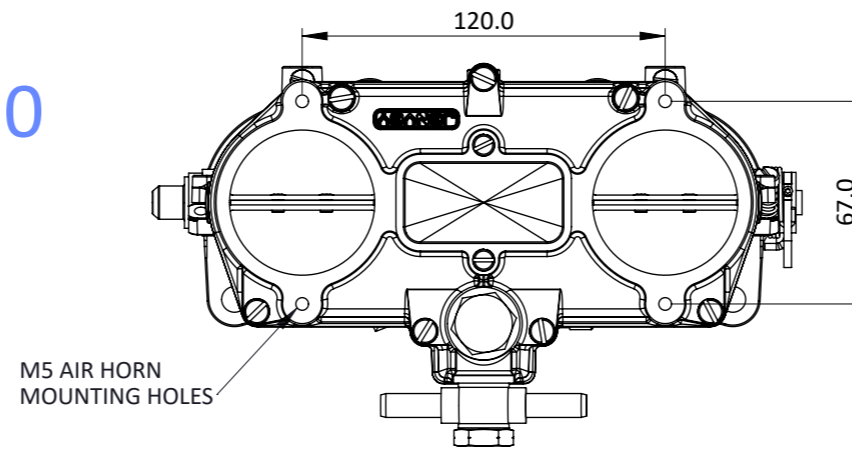
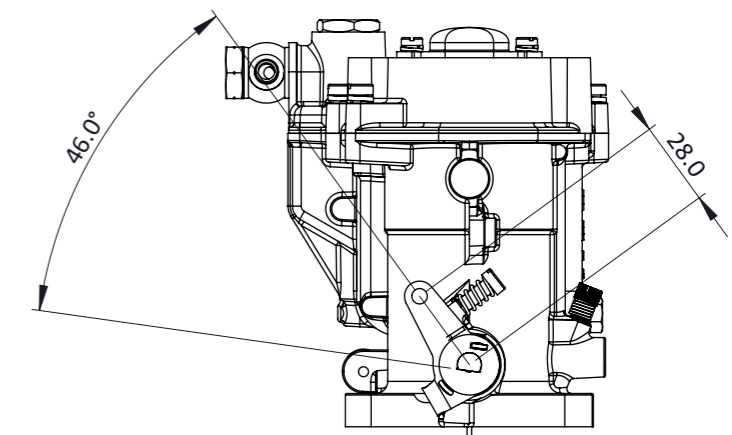


Engineered to win

HERITAGE THROTTLE POSITION SENSOR (TP12)  
ECONOSEAL PLUG DETAILS:



Throttle Position Sensor  
Pin Out



The Heritage body is designed with major dimensions identical to twin vertical carburetors from Weber, Dellorto, Solex etc. The fuel rail is integrated within the body lid, supplied with Bosch EV14 730cc/min injectors. The body comes with 'O' rings on the outlet, idle bypass adjustment, 60mm long air-horns and an internal throttle position sensor. Operating data; Spindle rotation: 82 degrees.

Frame: 1 of 1	
Version: 3	
Tel 01746 768810	© JENVEY DYNAMICS LTD. 2015
Web WWW.JENVEY.CO.UK	