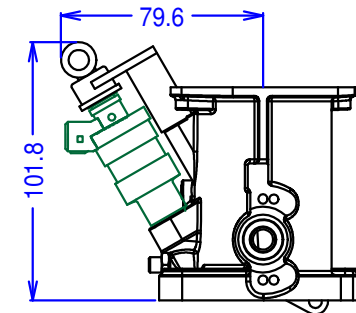
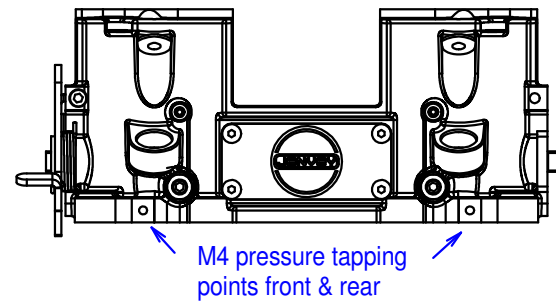
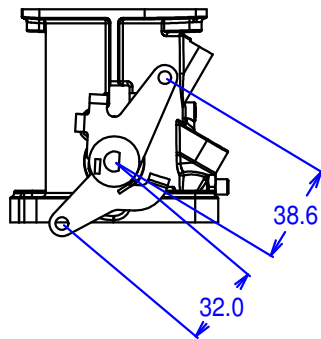
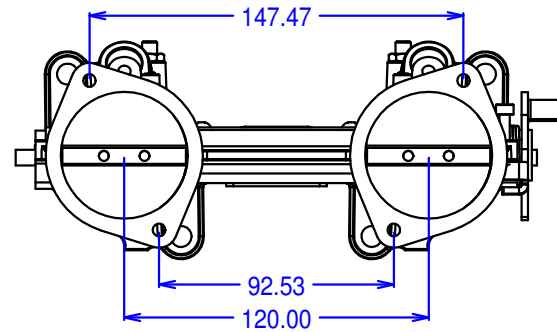


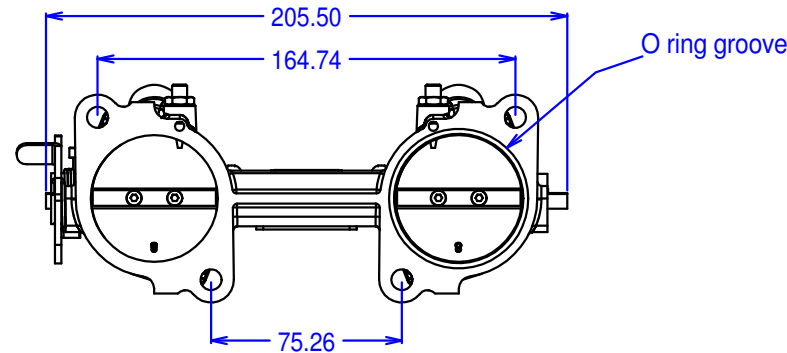


## TA twin throttle body

© Jenvey Dynamics Ltd 2000-2010  
Issue 2  
[www.jenvey.co.uk](http://www.jenvey.co.uk)



Bosch injector shown  
Remove spacer for Pico



The TA body is designed to fit the same flanges as twin downdraft carburetors from Weber (IDA). It is a compact body, well suited for use on 'V' engines with their tendency to long inlet tracts and shortage of space. The body comes with 'O' rings on the outlet, steel fuel rails with -6 threaded ends, idle bypass adjustment, interconnecting link, starter holes for vacuum sensors and bungs for the inlet end.

Operating data; Spindle rotation: 82 degrees. Torque per spindle at WOT: 300 - 340 N-mm which gives a tangential pull of 8 - 9 N on long arm of standard lever.