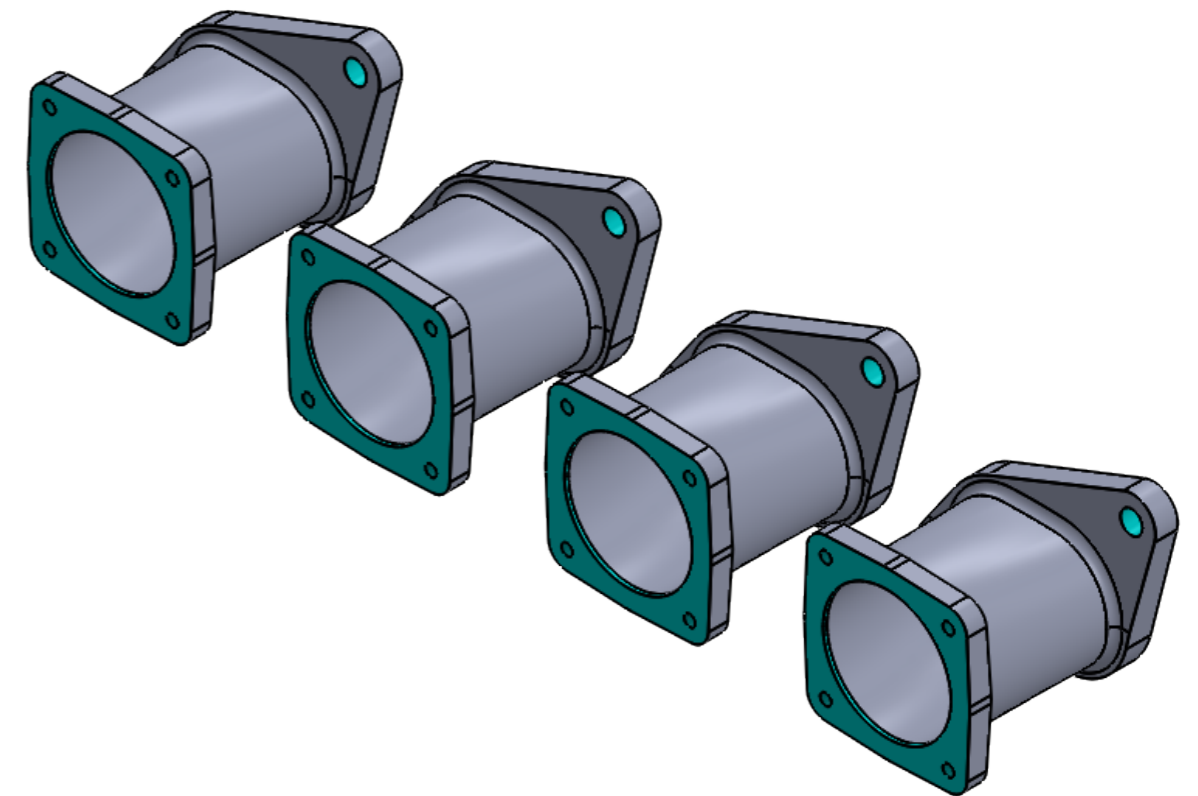
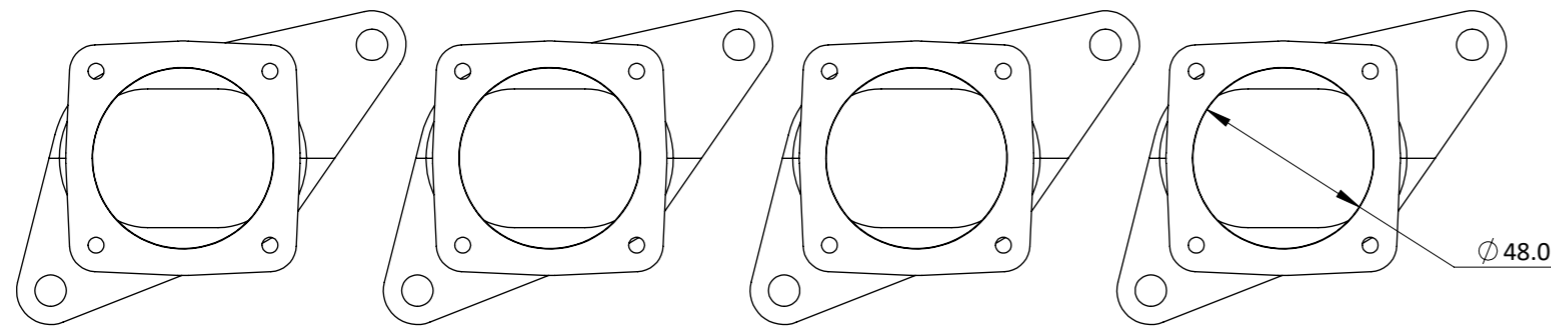
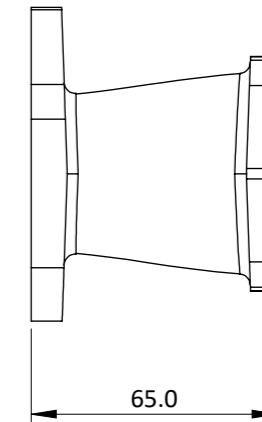
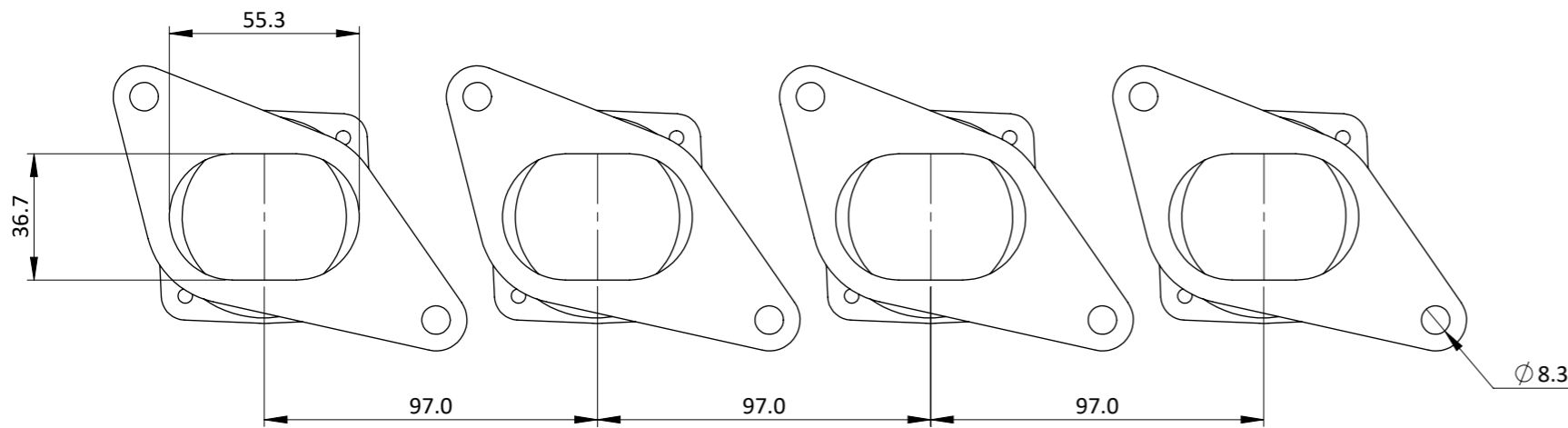


MN01 - NISSAN SR20DE



Engineered to win



A set of 4 single stub manifolds to mount a set of individual SF throttle bodies to a Nissan 2L SR20VE High port engine. This will only fit certain models, not the DET version. Bottom flange is the same as SR20DE - will work with a SR20DE block and SR20VE head

Frame: 1 of 1	
Version: 2	
Tel 01746 768810	© JENVEY DYNAMICS LTD. 2015
Web WWW.JENVEY.CO.UK	