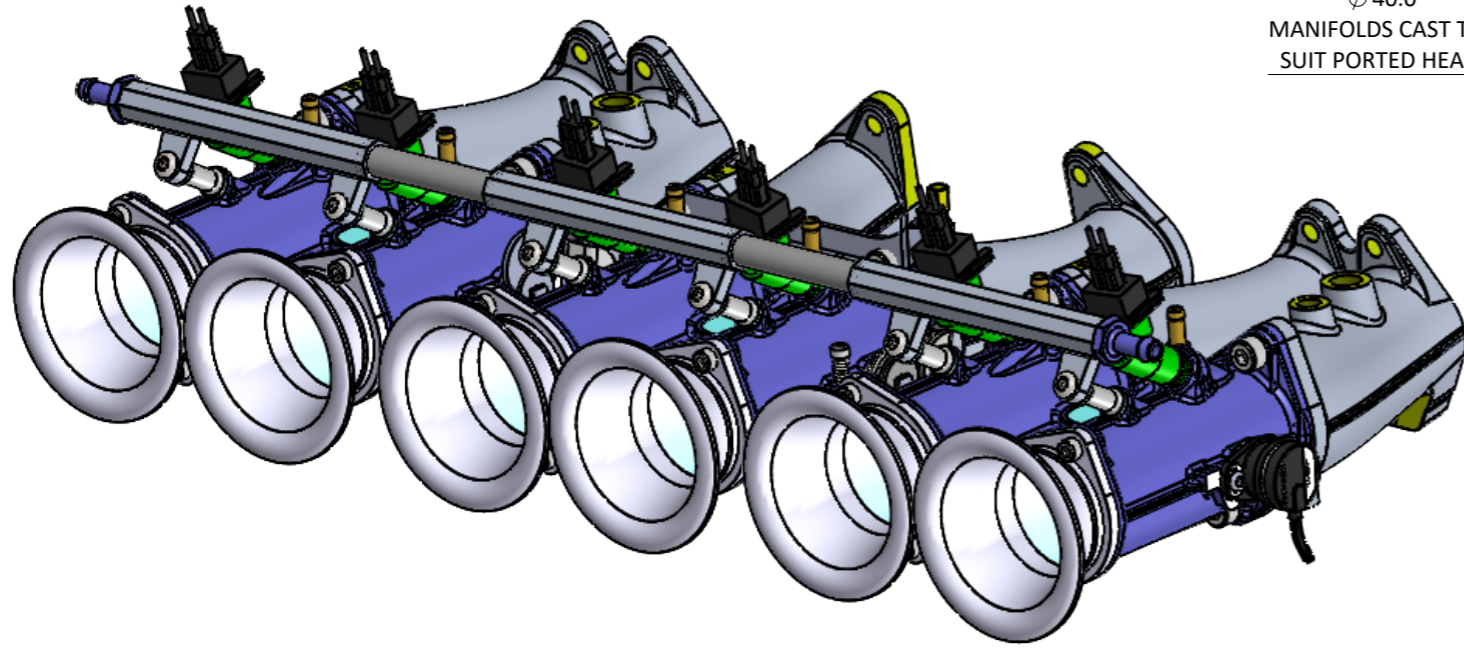


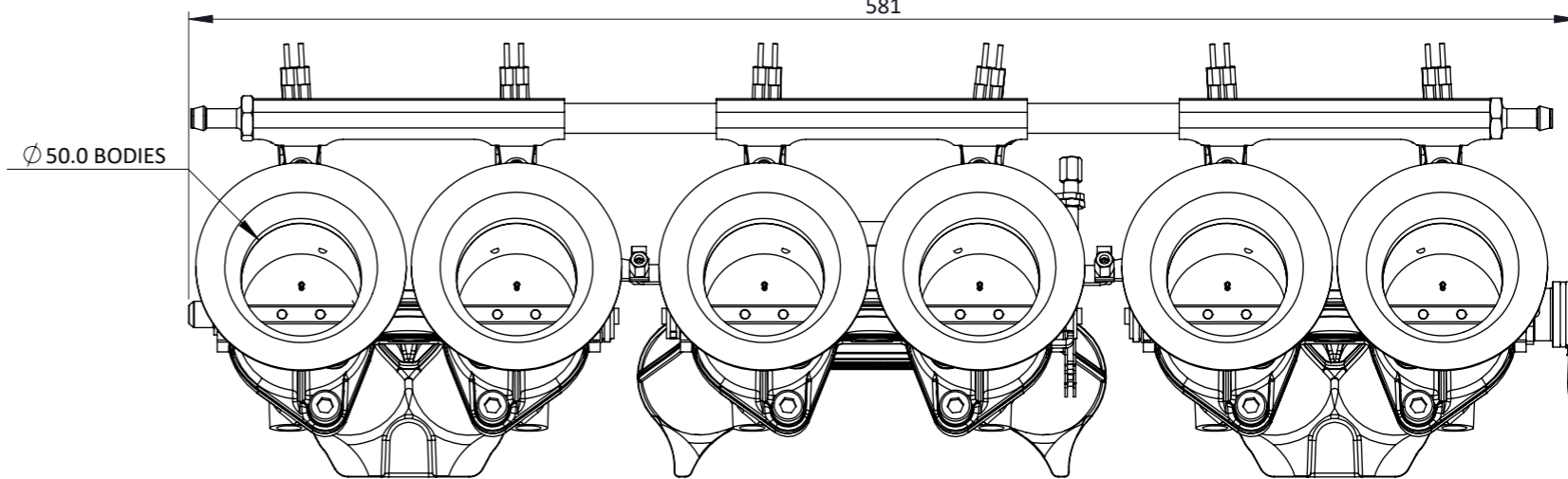
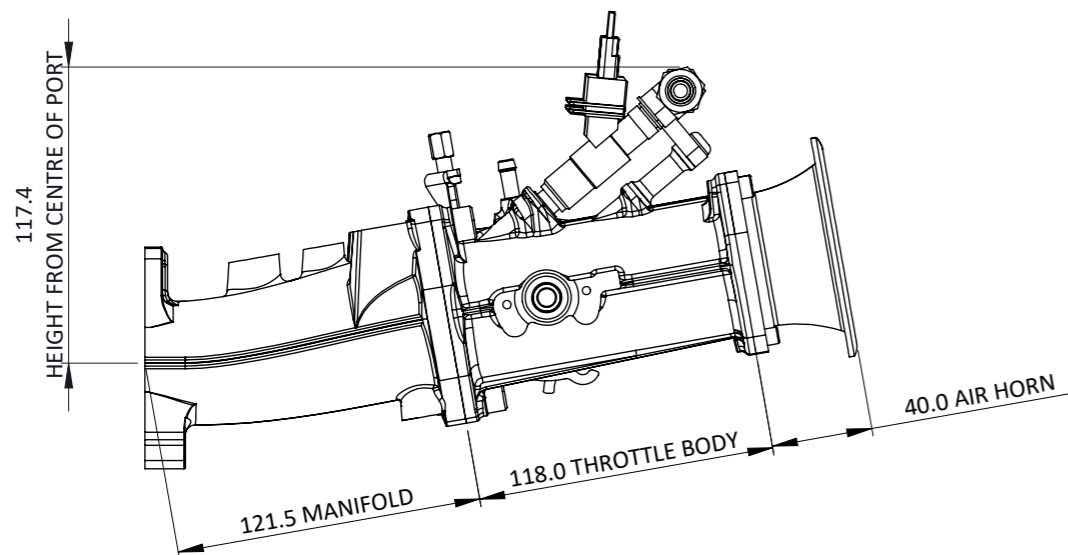
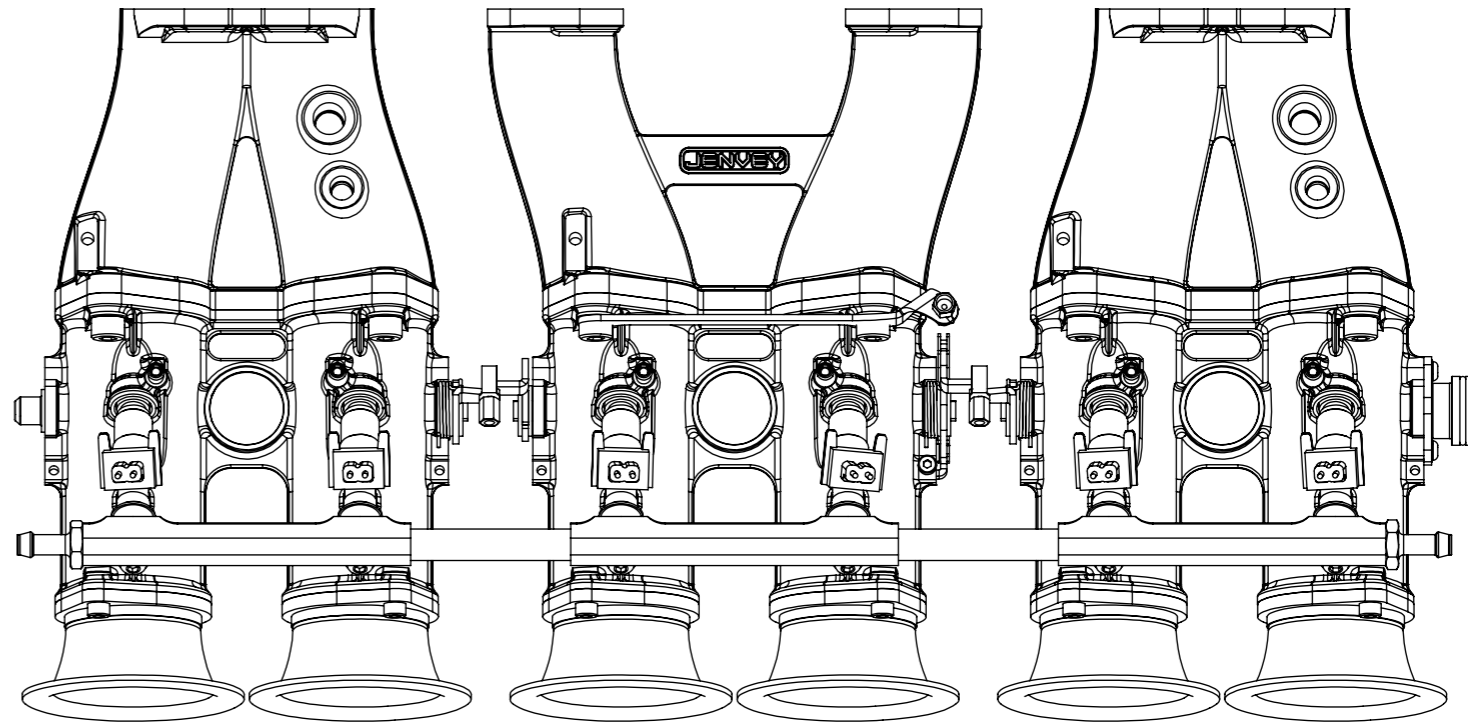
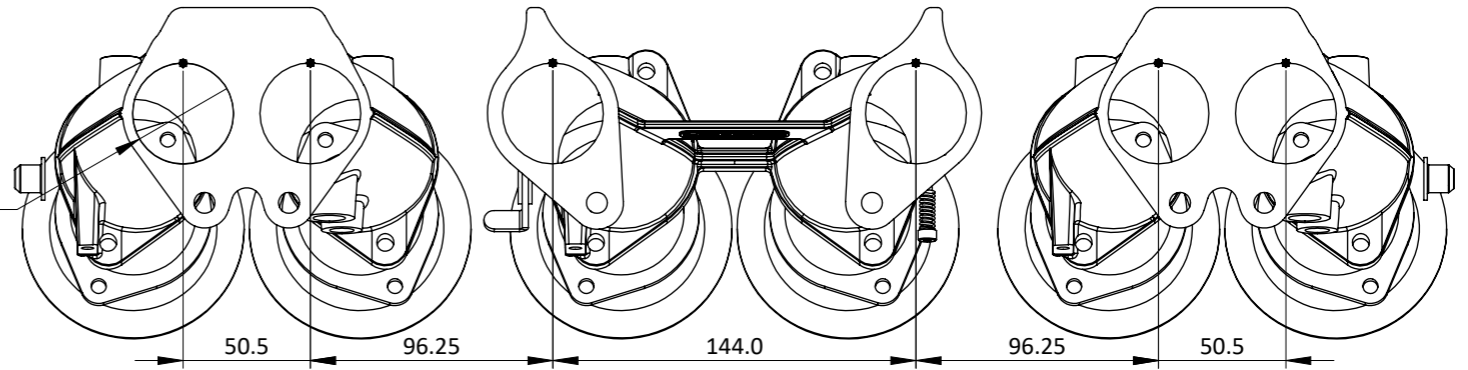
CKNN03 - DATSUN - L-SERIES ENGINE L24 (240Z), L26 (260Z) & L28 (280Z)



Engineered to win



∅ 40.0
MANIFOLDS CAST TO
SUIT PORTED HEAD



Frame: 1 of 1

Version: 1

Tel 01746 768810

© JENVEY DYNAMICS LTD. 2015

Web WWW.JENVEY.CO.UK

