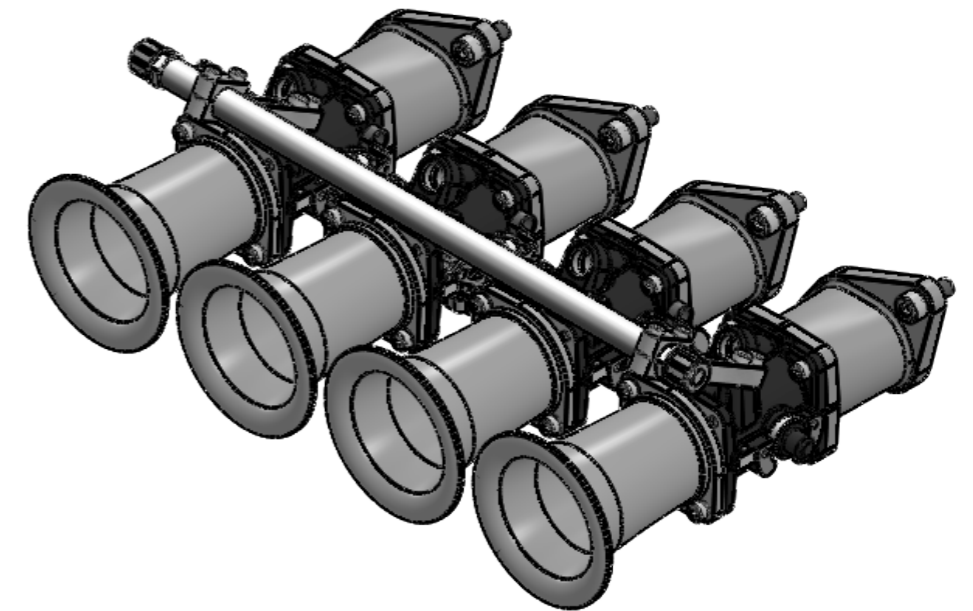
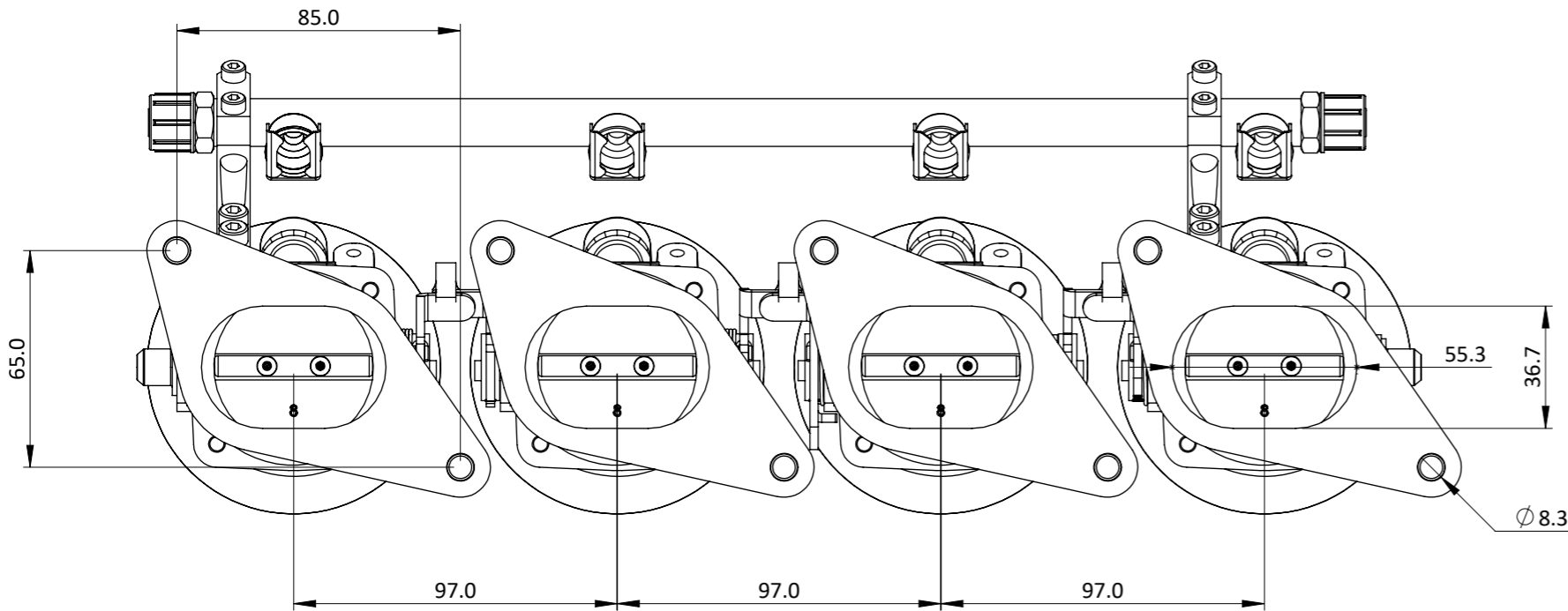
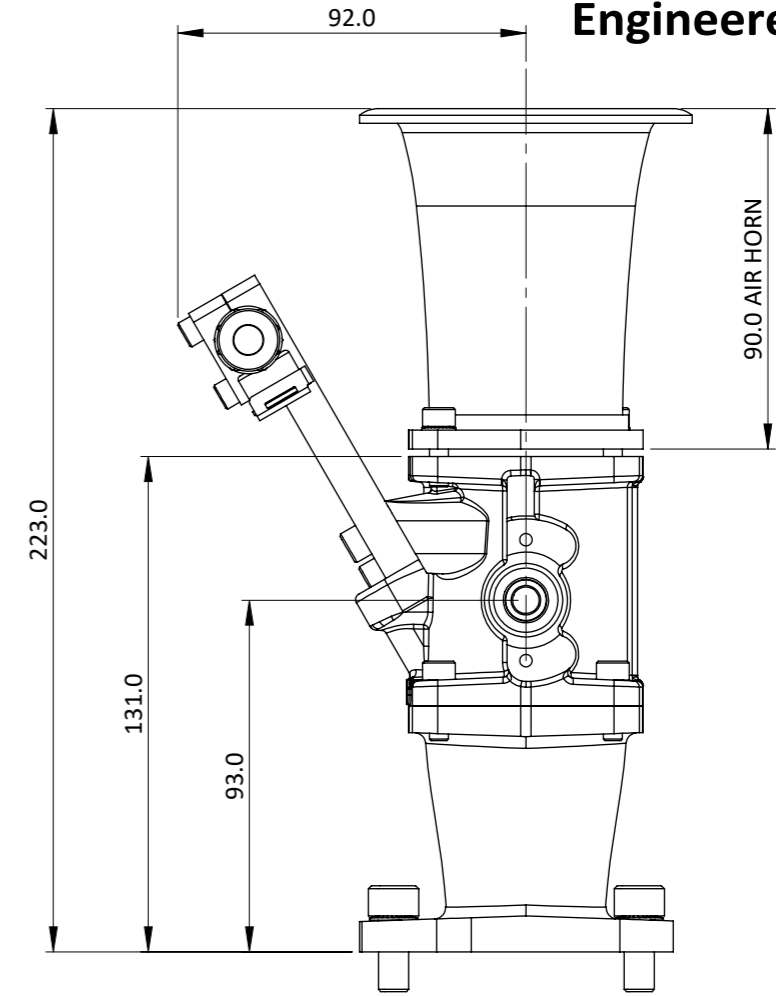
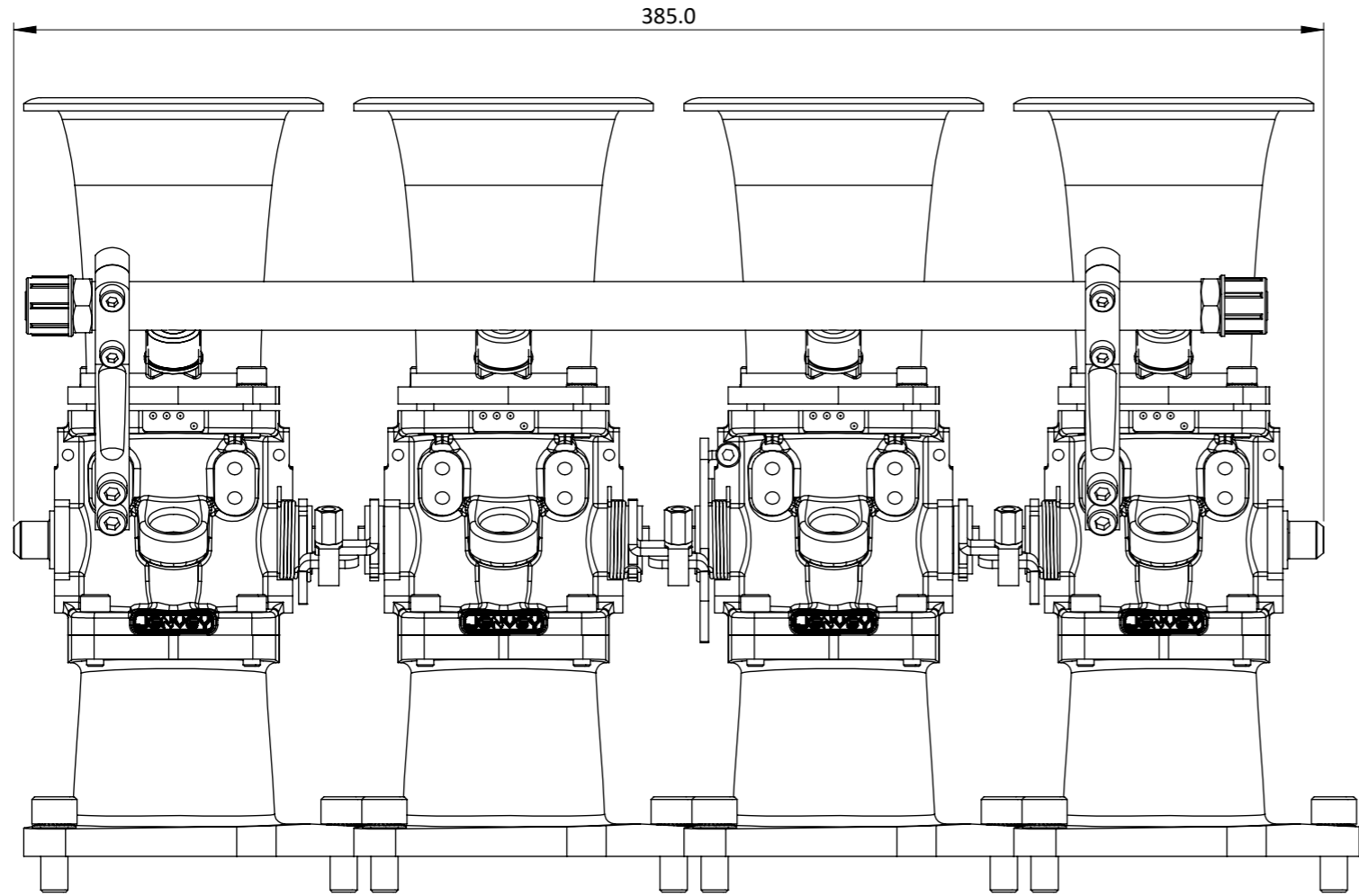


# CKNN01 - NISSAN SR20DE - SF48 KIT



Engineered to win



High Port SR20DE - Will not fit the DET version  
 Four 48mm taper throttle bodies, fuel rail with mountings and 90mm long airhorns.  
 This engine was used in the Primera and other Nissan's

Frame: 1 of 1

Version: 1

Tel 01746 768810

© JENVEY DYNAMICS LTD. 2015

Web WWW.JENVEY.CO.UK

