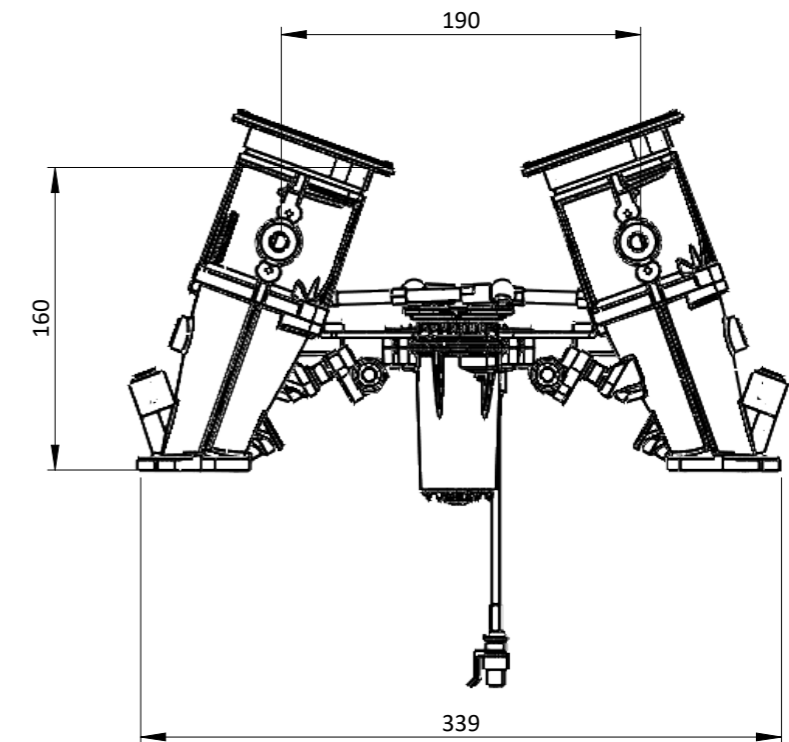
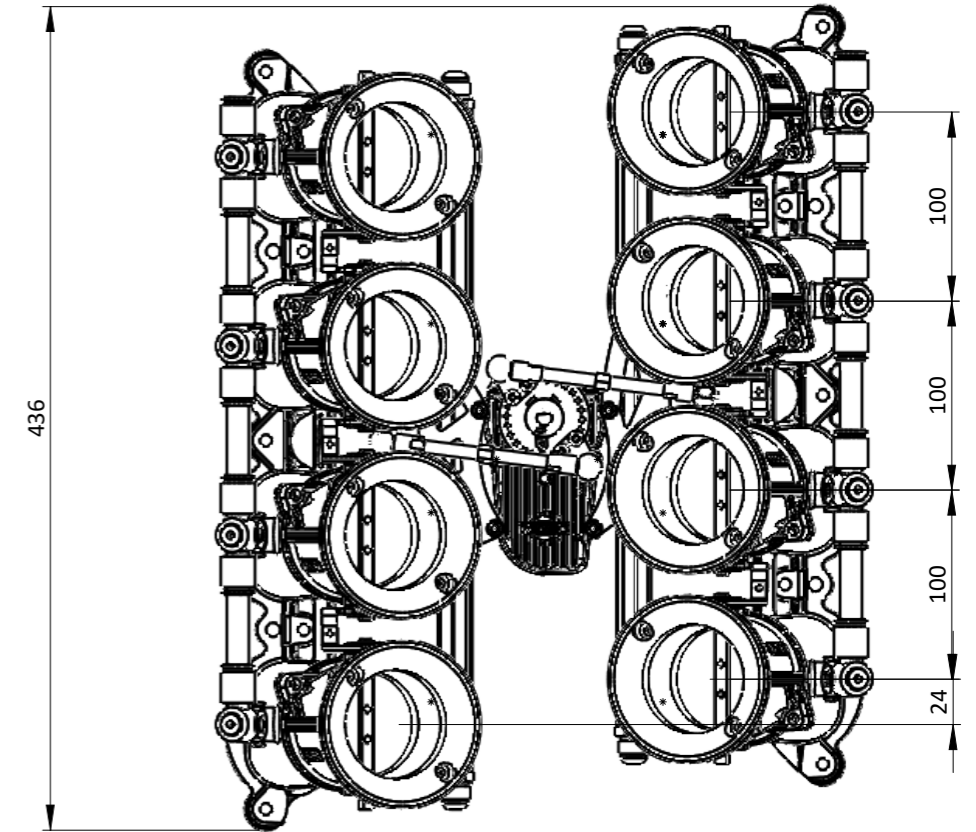


# CKFD20 - COYOTE DOWNDRAFT - COYOTE DOWNDRAFT

## FORD 5.0L COYOTE KIT FOR INDIVIDUAL THROTTLE BODIES



Engineered to win



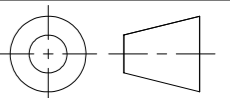
THE JENVEY FORD 5.0L COYOTE ITB DOWNDRAFT THROTTLE BODY KIT INCLUDES EITHER EIGHT SSD58/45/0, Ø55 BUTTERFLY OR Ø52 PARALLEL THROTTLE BODIES WITH EITHER FLY BY WIRE ELECTRONIC ACTUATION OR THE CLV7 DOWNDRAFT LINKAGE KIT, TWO EFI INLET MANIFOLDS, TWO FUEL RAILS AND EIGHT 20MM BILLET AIRHORNS DESIGNED SPECIFICALLY FOR MOTORSPORT APPLICATIONS. OFFERING EXCEPTIONAL PERFORMANCE LIGHTNESS RELIABILITY AND LOOKS. USING OUR MODULAR COMPONENTS OFFERS HUGE OPPORTUNITY FOR BESPOKING TO MATCH YOUR APPLICATION.

Frame: 1 of 1

Version: 1

Tel 01746 768810

Web WWW.JENVEY.CO.UK



© JENVEY DYNAMICS LTD. 2015