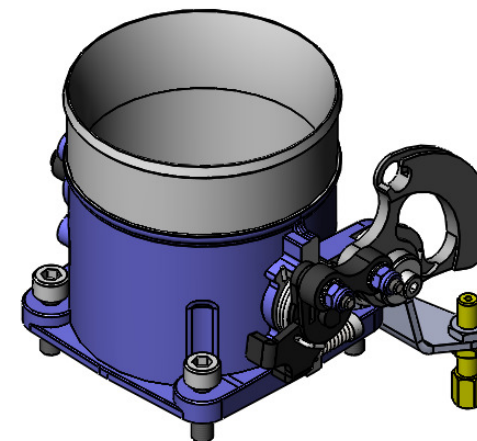
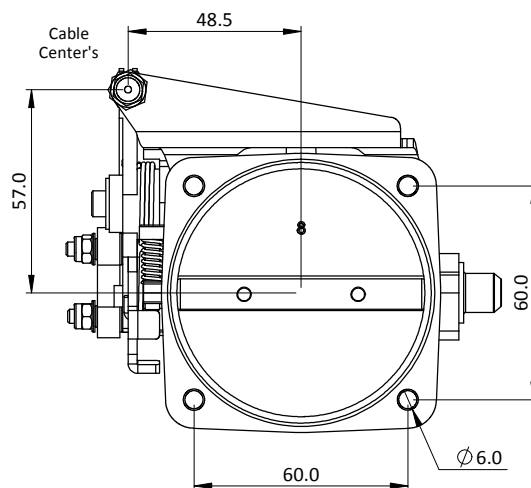
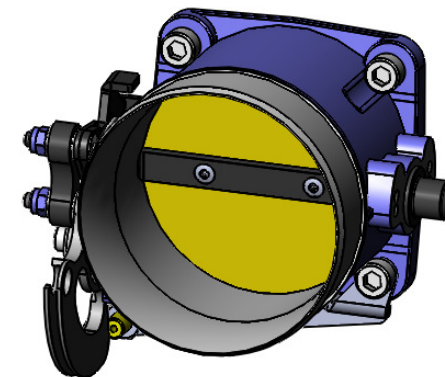
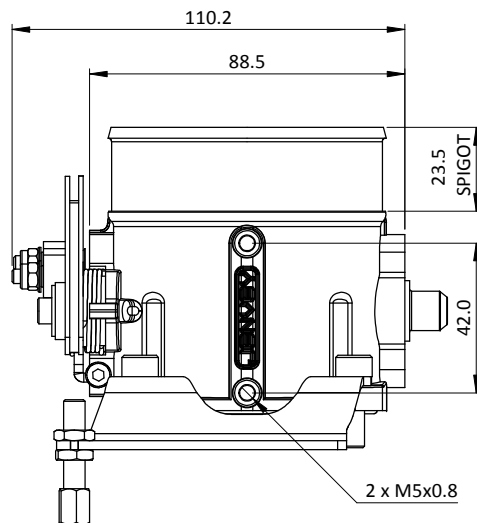
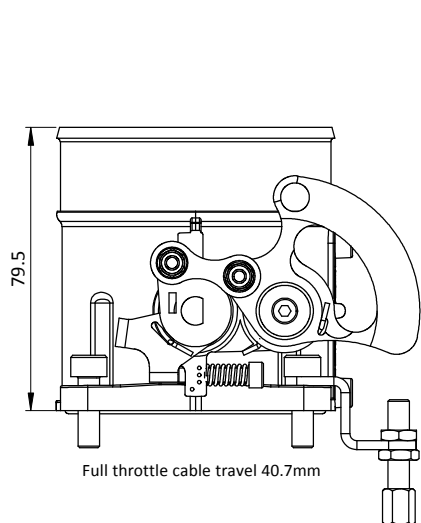


# SFGT1\_70 - 70mm Single Turbo Body



Engineered to win



The SFGT throttle body is primarily designed for turbo- or super-charged applications and has a spigot inlet which will accept hose directly from an intercooler, turbo or air filter. It fits directly to the Jenvey 70mm turbo plenum and includes porting and mountings for an idle control valve. Adapters are available for the Mitsubishi Evo8 IC valve.

The lever mechanism has two springs and gives a rising-velocity opening rate. The Bodies come with 'O' rings and fitting kits.  
 Operating data; Cable travel: 40.7mm. Spring force to lift from idle: 10N; in last 1 degree: 25N, with exponential rise between.  
 Other items; Throttle potentiometer.

Frame: 1 of 1

Version: 2

Tel 01746 768810

© JENVEY DYNAMICS LTD. 2015

Web WWW.JENVEY.CO.UK

