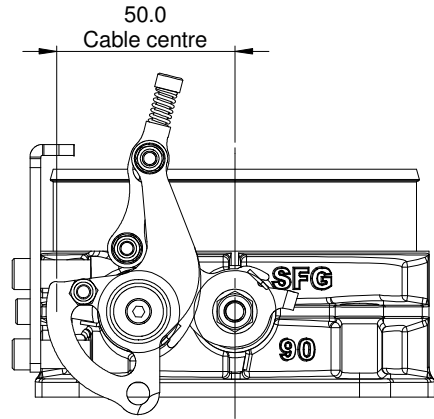


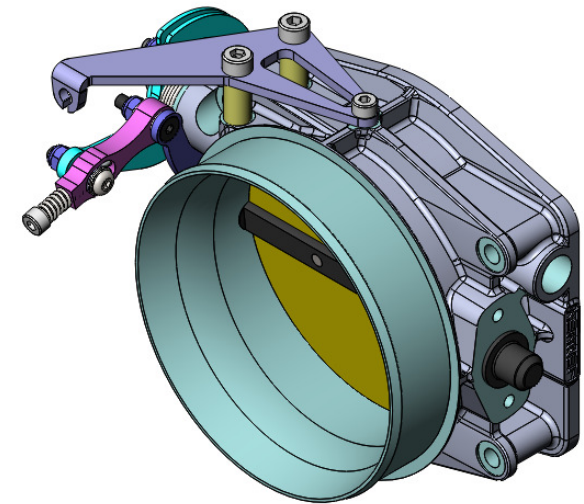
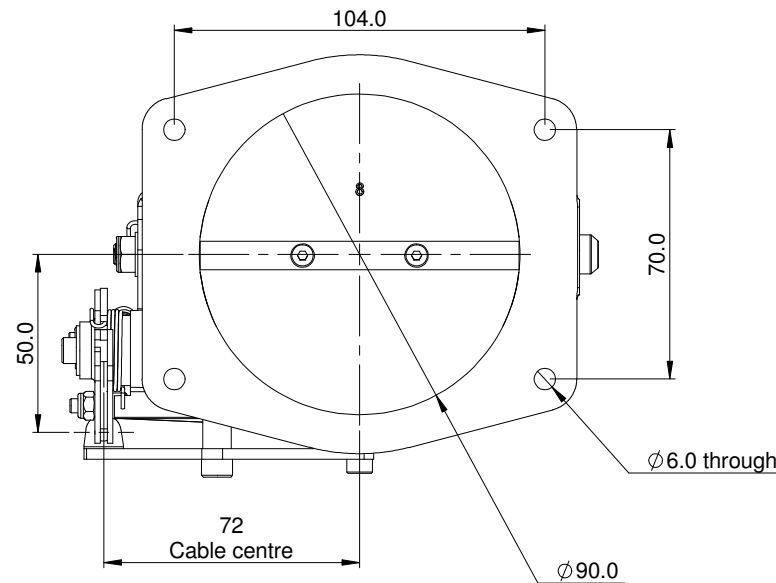
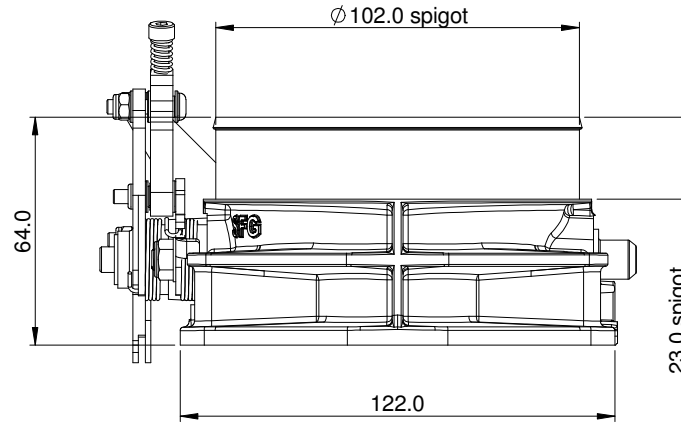
SFG90 - 90mm throttle body with spigot inlet



Engineered to win



Full throttle cable travel 30mm



SFG throttle body is designed to fit the standard GM Chevrolet LS3 manifold, although can be used in other applications.

The lever mechanism has two springs and gives a rising-velocity opening rate, offering good throttle progression.

Operating data; Cable travel: 30mm.
Other items; Throttle potentiometer.

Frame: 1 of 1

Version: 1

Tel 01746 768810

© JENVEY DYNAMICS LTD. 2015

Web WWW.JENVEY.CO.UK

