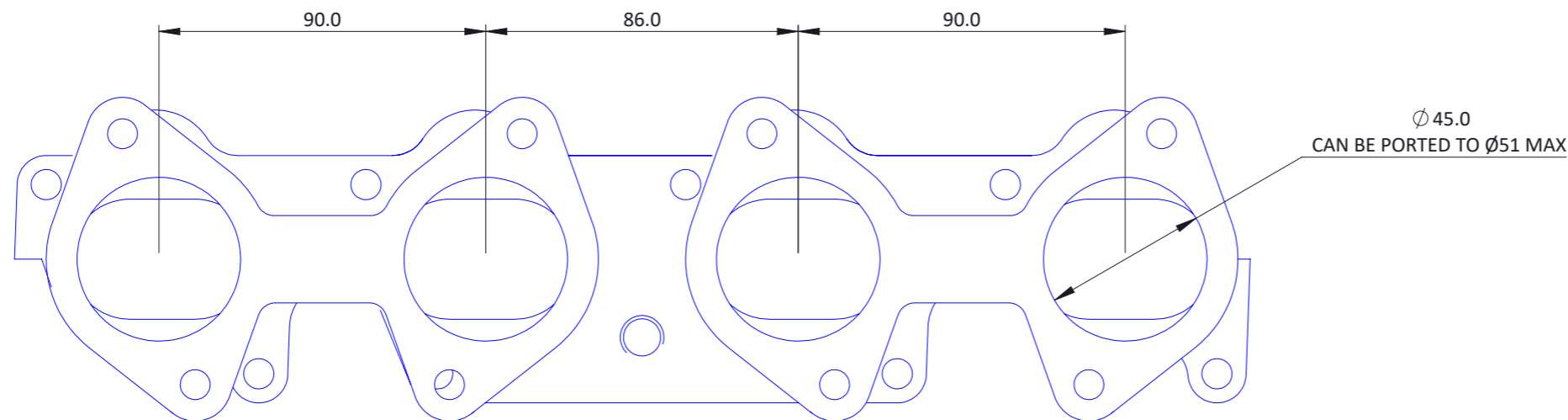
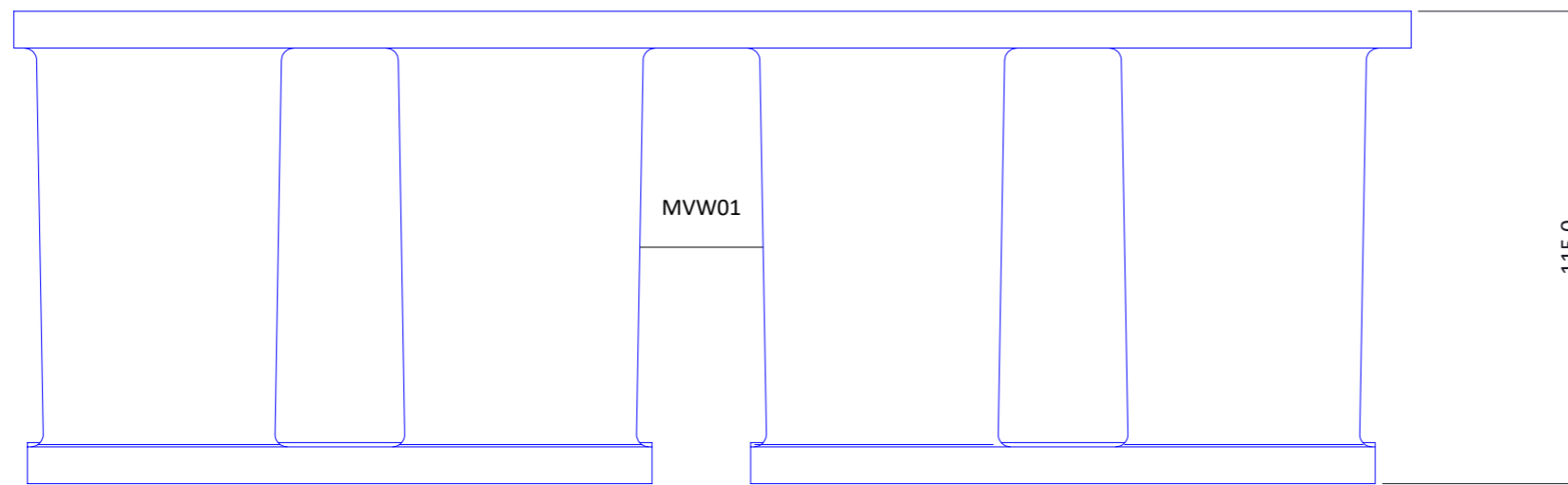
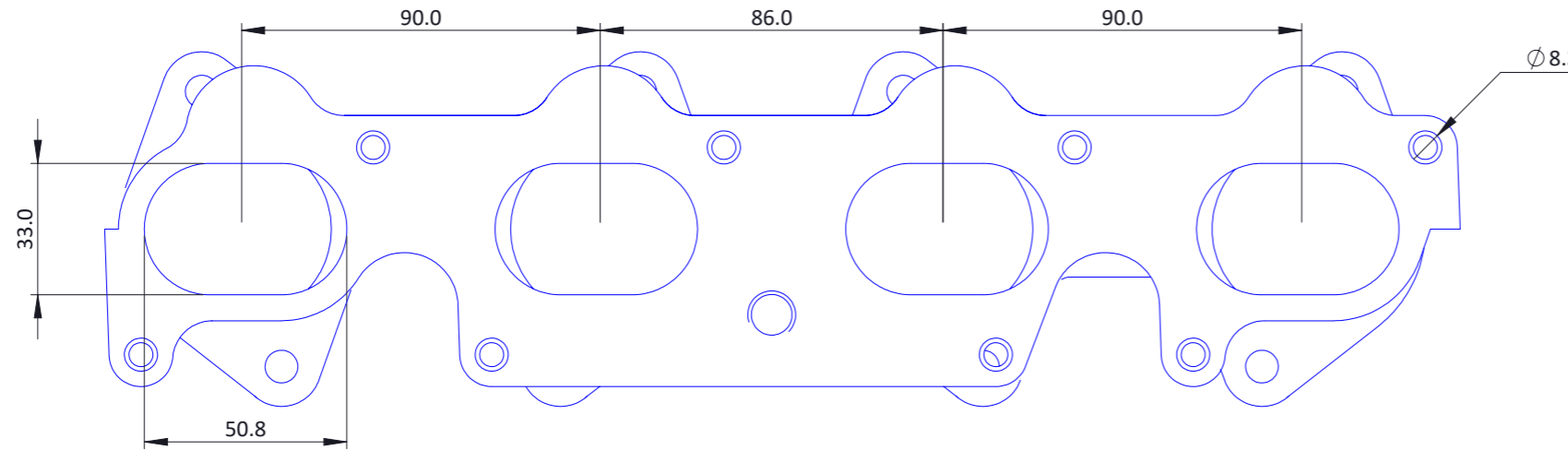


MVW01 - VW 16V DCOE MANIFOLD



Engineered to win



MANIFOLD TO FIT VOLKSWAGEN 2.0L 16V ENGINE SUCH AS THE OLDER 1.8 AND 2.0 SHORT AND TALL BLOCK ENGINES INCLUDING KR 9A ABF PL AS USED IN GOLFS, SCIROCCOS AND BORAS.

TO SUIT DCOE STYLE FLANGE THROTTLE BODIES SUCH AS THE JENVEY TB45 BODIES.

Frame: 1 of 1

Version: 3

Tel 01746 768810

© JENVEY DYNAMICS LTD. 2015

Web WWW.JENVEY.CO.UK

