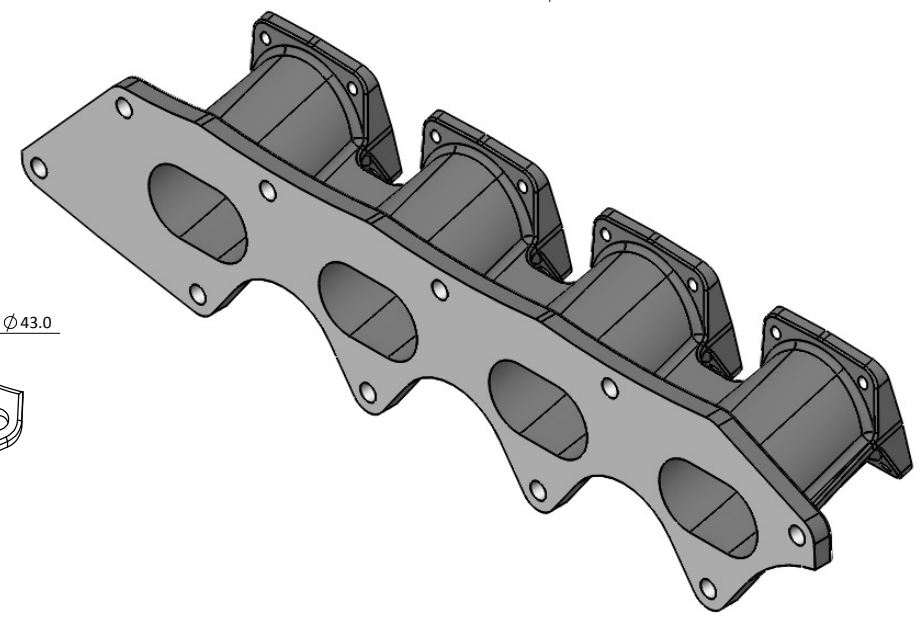
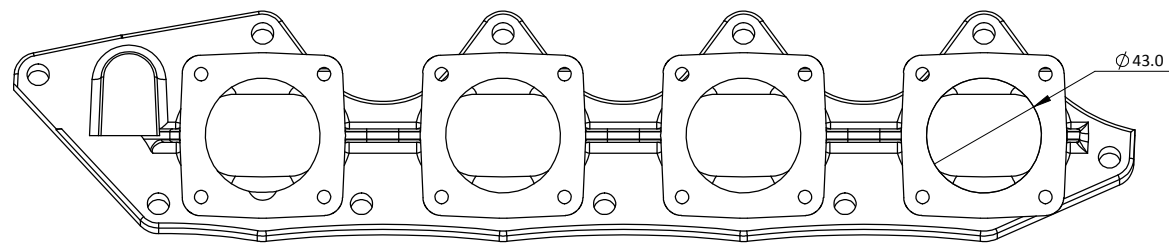
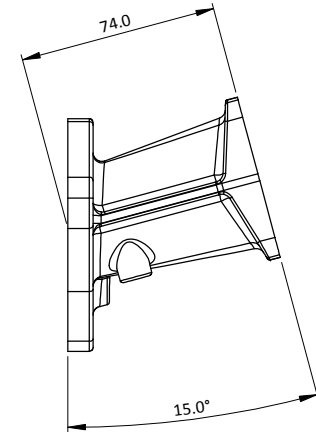
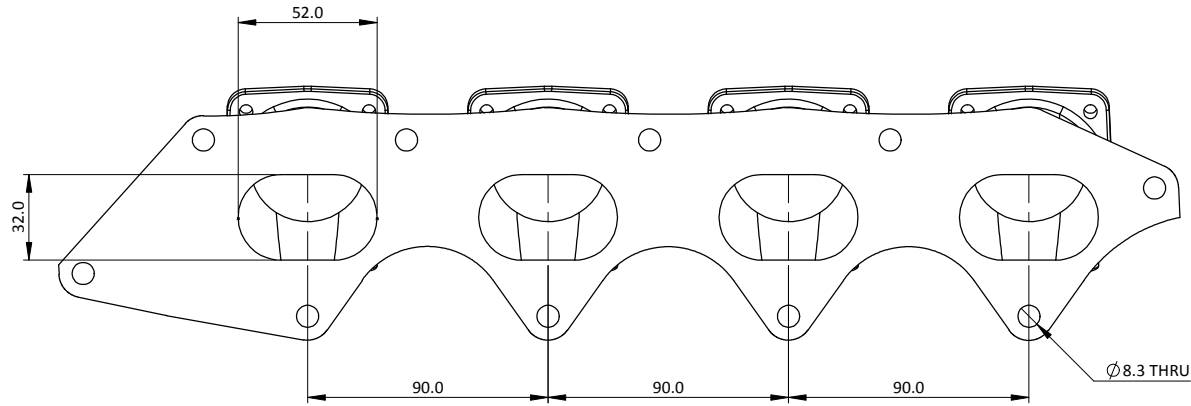


MH04 - HONDA B18 C1 AND C4 MANIFOLD FOR INDIVIDUAL THROTTLE BODIES



Engineered to win



FLANGES FOR JENVEY SF THROTTLE BODIES. MAY BE PORTED OUT TO 48MM.
UNDRILLED BOSSES ON UNDERSIDE FOR VACUUM TAPPINGS.

Frame: 1 of 1	
Version: 2	
Tel 01746 768810	© JENVEY DYNAMICS LTD. 2015
Web WWW.JENVEY.CO.UK	