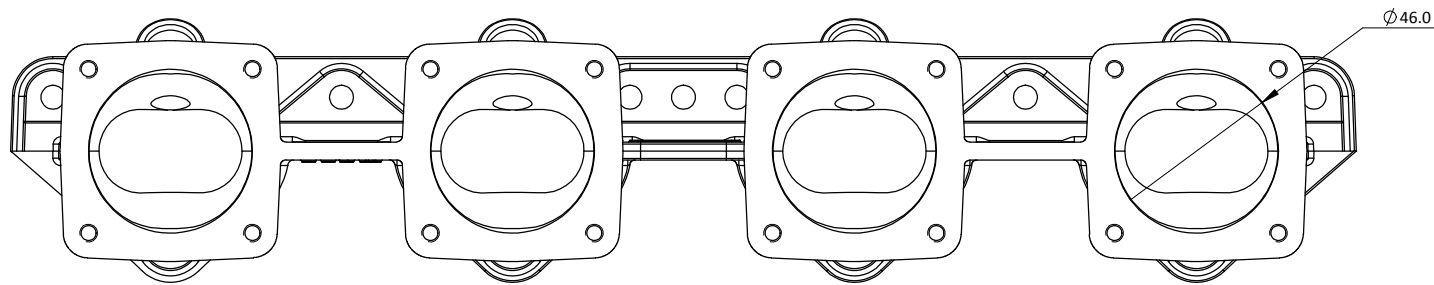
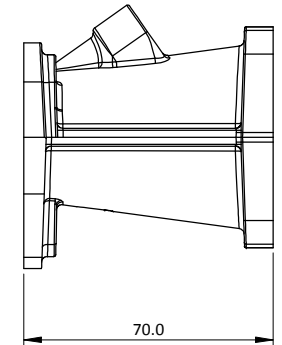
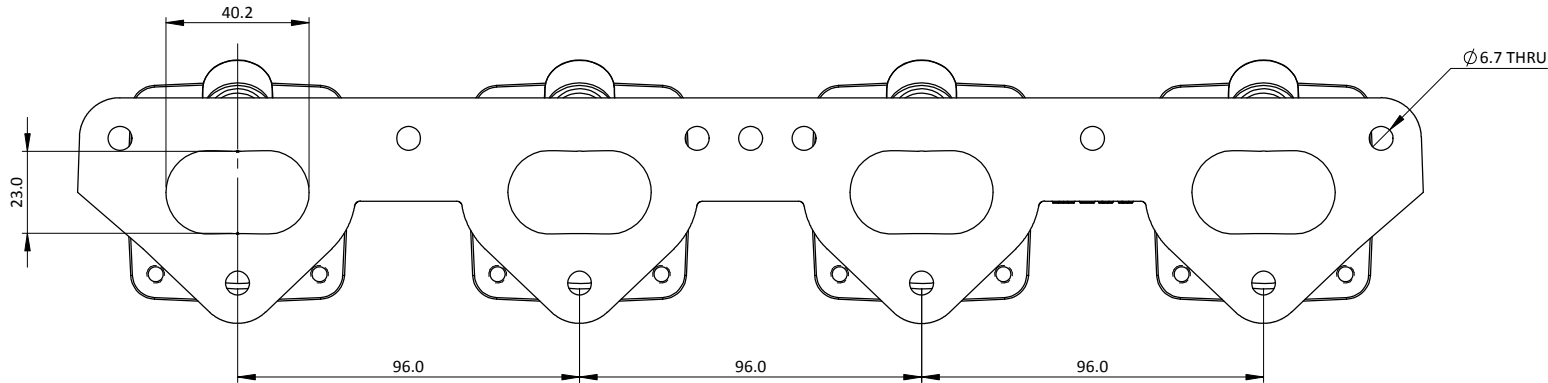


MF11SP - COSWORTH FORD BDA SMALL PORT MANIFOLD



Engineered to win



FLANGES FOR JENVEY SF THROTTLE BODIES

MAY BE PORTED UP TO 50mm AT THE BODY FLANGE AND PROPORTIONALLY AT THE HEAD FLANGE.

OPTION OF MACHINED INJECTOR POCKETS.

Frame: 1 of 1	
Version: 1	
Tel 01746 768810	© JENVEY DYNAMICS LTD. 2015
Web WWW.JENVEY.CO.UK	