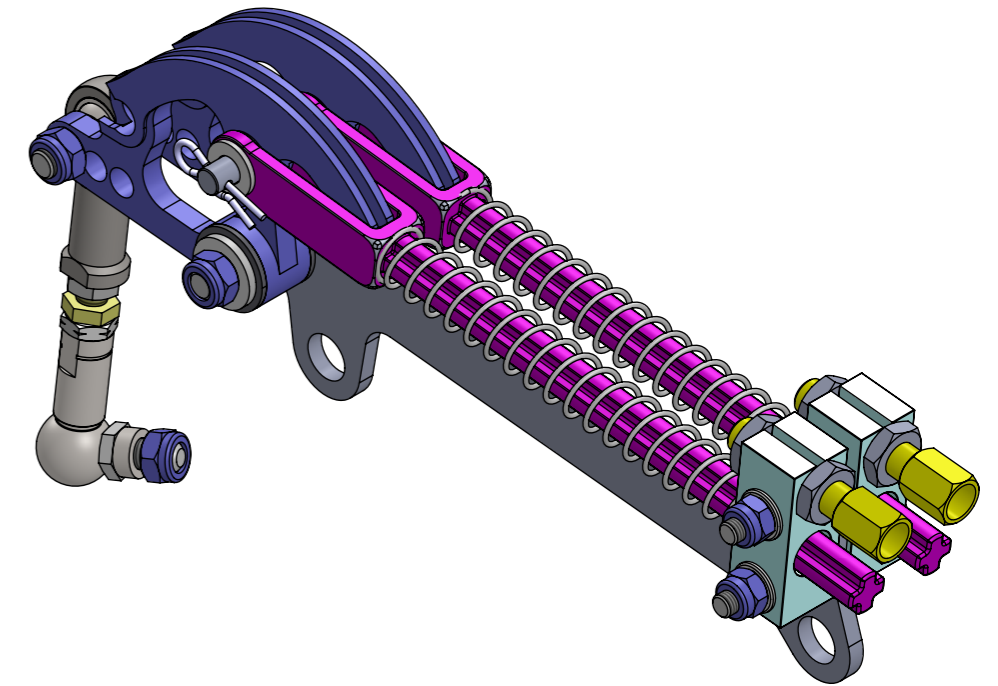
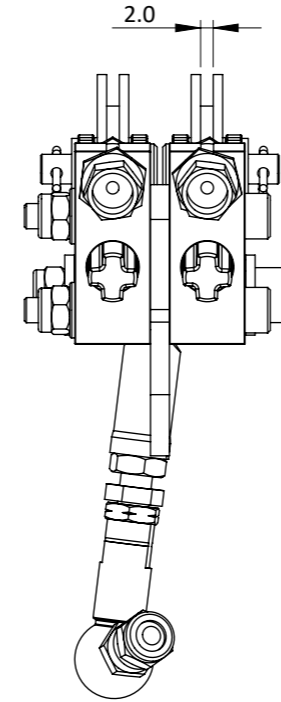
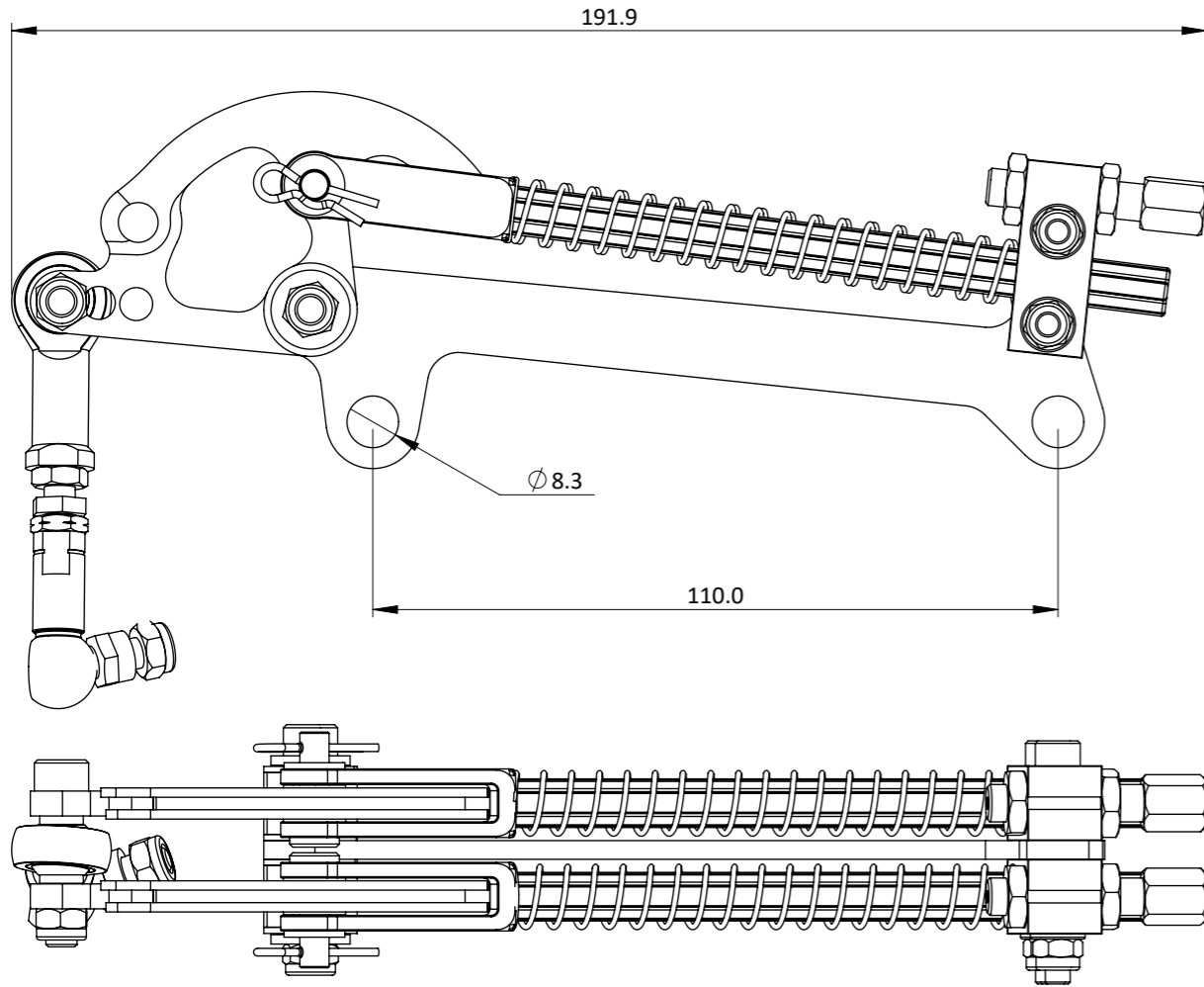


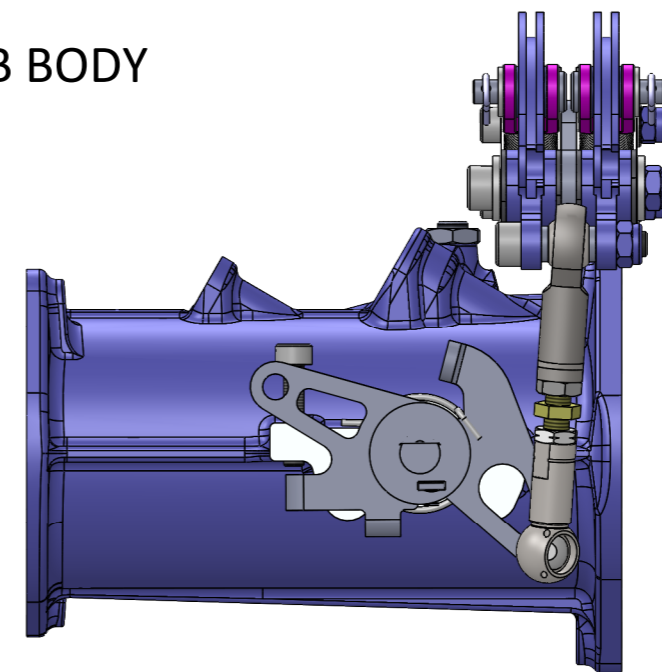
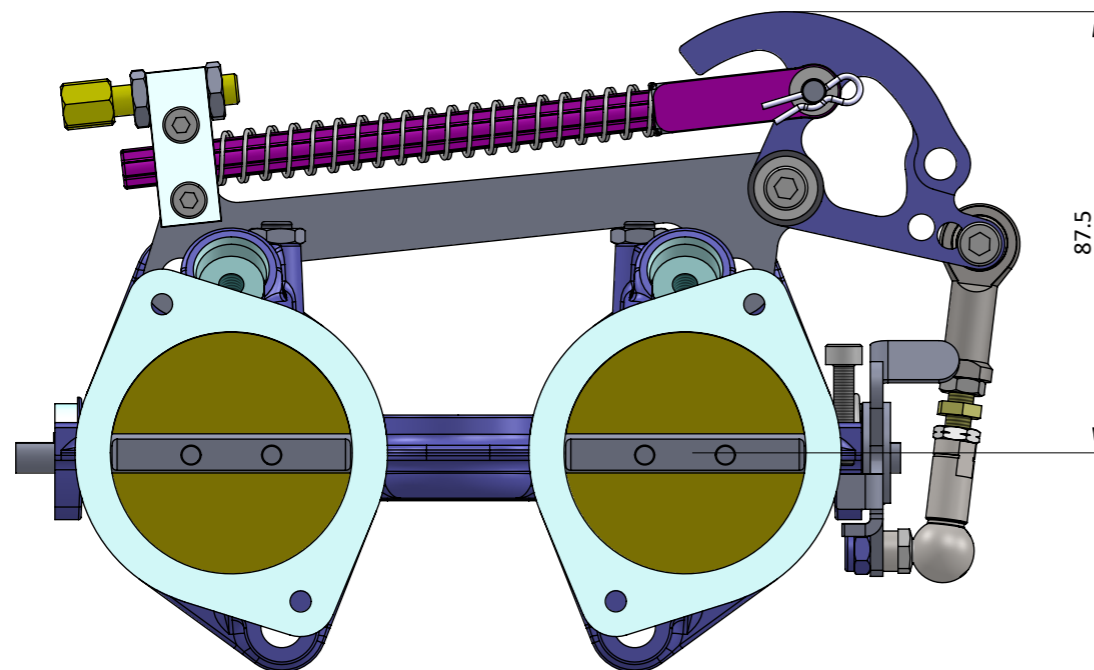
CLD2-TBO1 - DOUBLE LINKAGE FOR TB BODIES - OVER



Engineered to win



DOUBLE LINKAGE SHOWN ON TB BODY



VIEW PDF INSTRUCTIONS
HERE:



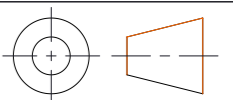
Frame: 1 of 2

Version: 4

Tel 01746 768810

© JENVEY DYNAMICS LTD. 2015

Web WWW.JENVEY.CO.UK

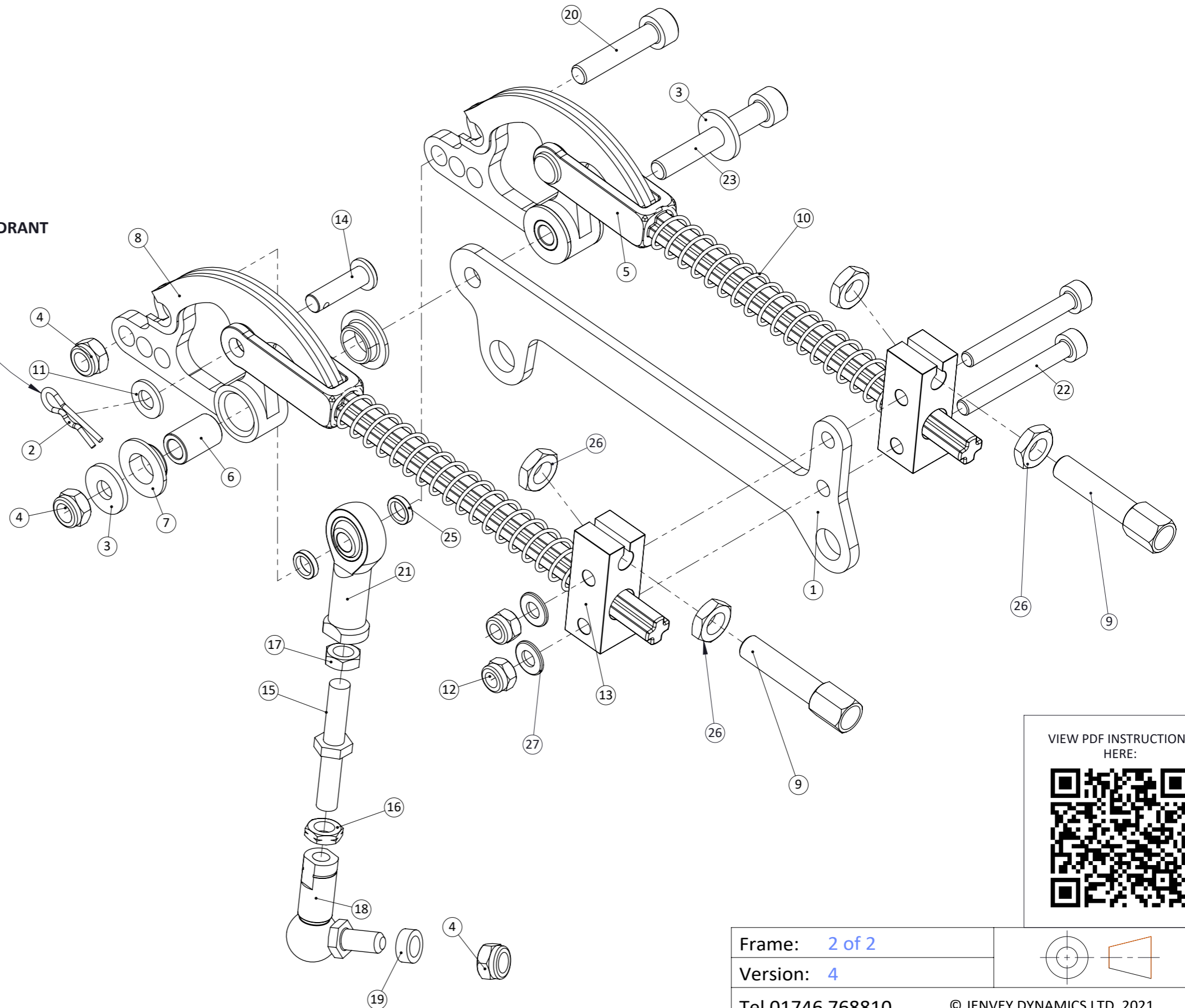


CLD2-TBO1 - DOUBLE LINKAGE FOR TB BODIES - OVER ASSEMBLY INSTRUCTIONS



Engineered to win

R-CLIPS MUST BE ON THE OUTSIDE OF THE QUADRANT AS SHOWN ON DRAWING



VIEW PDF INSTRUCTIONS HERE:



ITEM NO.	PART NUMBER	DESCRIPTION	QTY.
1	LBO2-1	LINKAGE BRACKET TB OVER	1
2	P35-15	R CLIP	2
3	M5WDZX12.7	M5x12.7 WASHER BZP	2
4	M5NZ	M5 NYLOC NUT	3
5	M35-5	SPRING MANDREL	2
6	BHS8X5X12.1	8x5x12.1 STEEL BUSH	2
7	BG0810NF	LINKAGE BEARING	4
8	L35-6	LINKAGE QUADRANT BILLET	2
9	M6X37-ADJ	M6x37 THREADED ADJUSTER	2
10	SG20	SPRING LINKAGE	2
11	M5WPZ	M5 PLANE WASHER BZP	2
12	M4NZ	M4 NYLOC NUT	2
13	M35-6	LINKAGE ANCHOR BLOCK	2
14	P35-14	CLEVIS PIN 4.7X14	2
15	LJ5-R32	M5 ADJUSTER ROD LH-RH 32MM	1
16	M5LZ-LH	M5 LOCKNUT LH	1
17	M5LZ	M5 LOCK NUT	1
18	LJ5B-LH	LINKAGE BALL JOINT. LH	1
19	BHS8X5X3	ROD END SPACER	1
20	M5X25CZ	CAP SCREW M5x25 CZ	1
21	LJ5R	LINKAGE ROD END, 5MM	1
22	M4X35CZ	CAP SCREW M4x35 CZ	2
23	M5X35CZ	CAP SCREW M5x35 CZ	1
24	C15	THROTTLE CABLE 1.5 METERS	2
25	BHAC7X5X1.58	CLD SPACER	2
26	M6LZ	M6 LOCKNUT	4
27	M4WPZ	M4 WASHER	2

Frame: 2 of 2

Version: 4

Tel 01746 768810

© JENVEY DYNAMICS LTD. 2021

Web WWW.JENVEY.CO.UK

