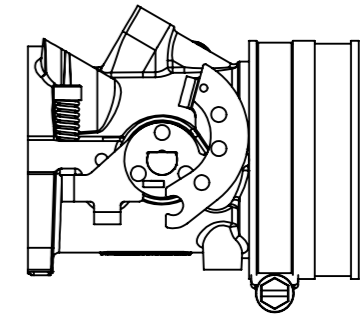
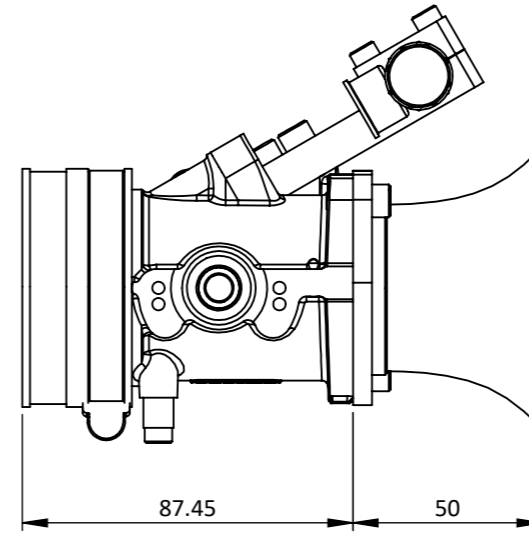
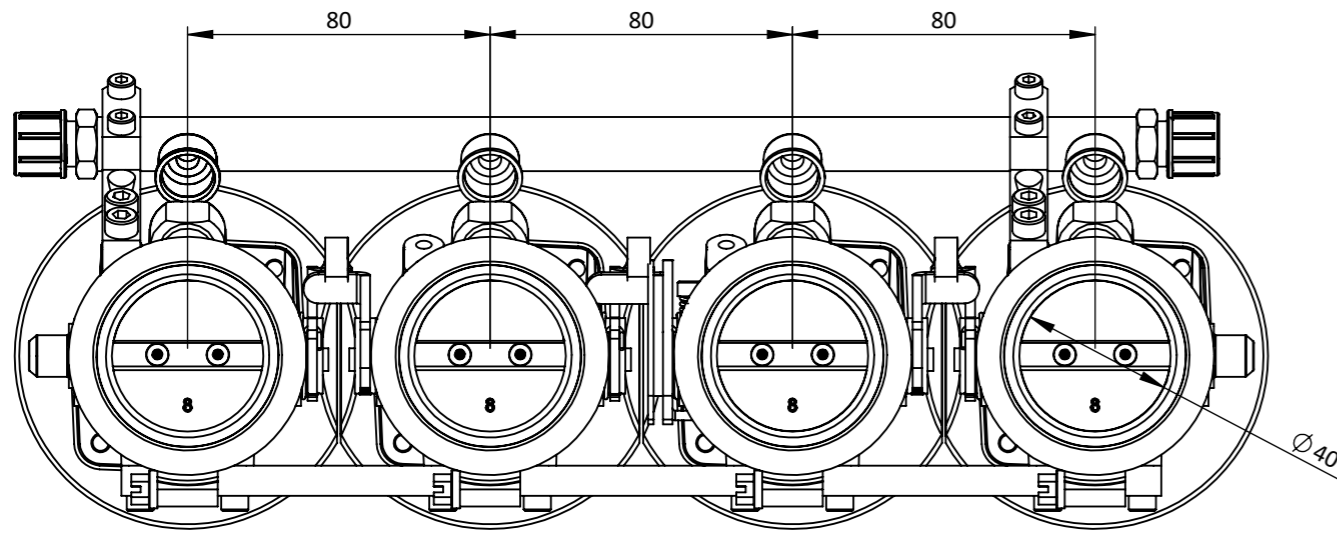


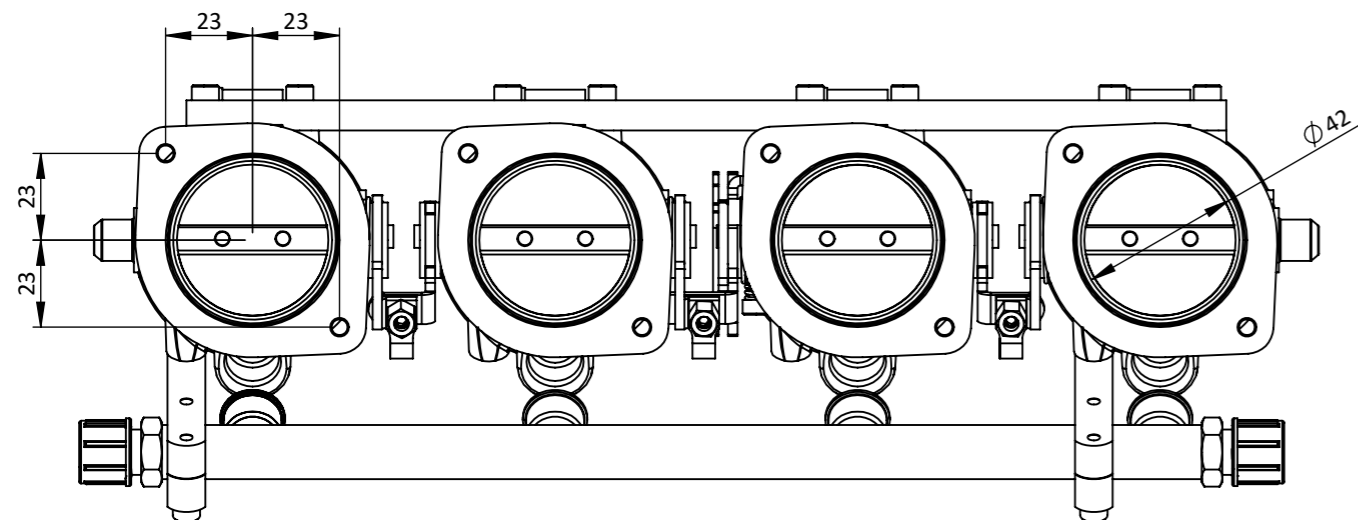
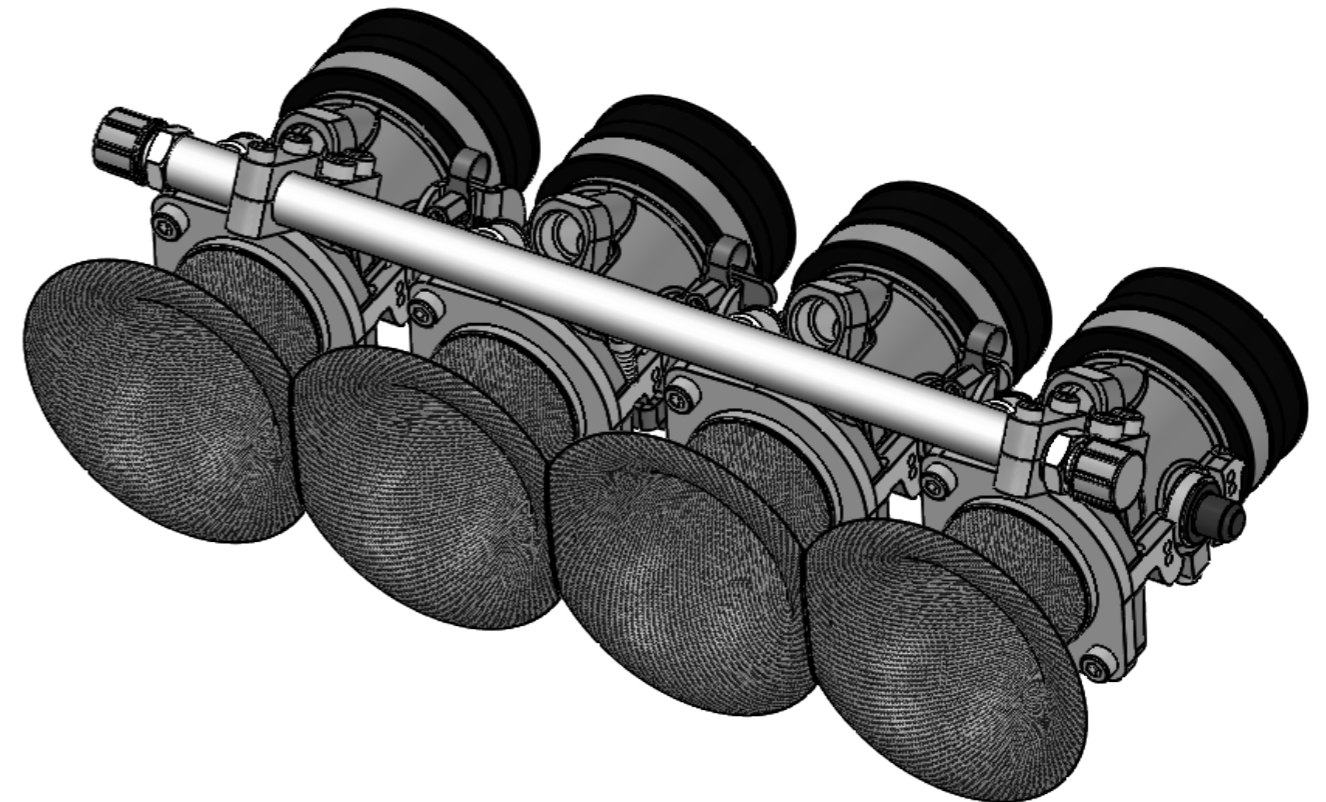
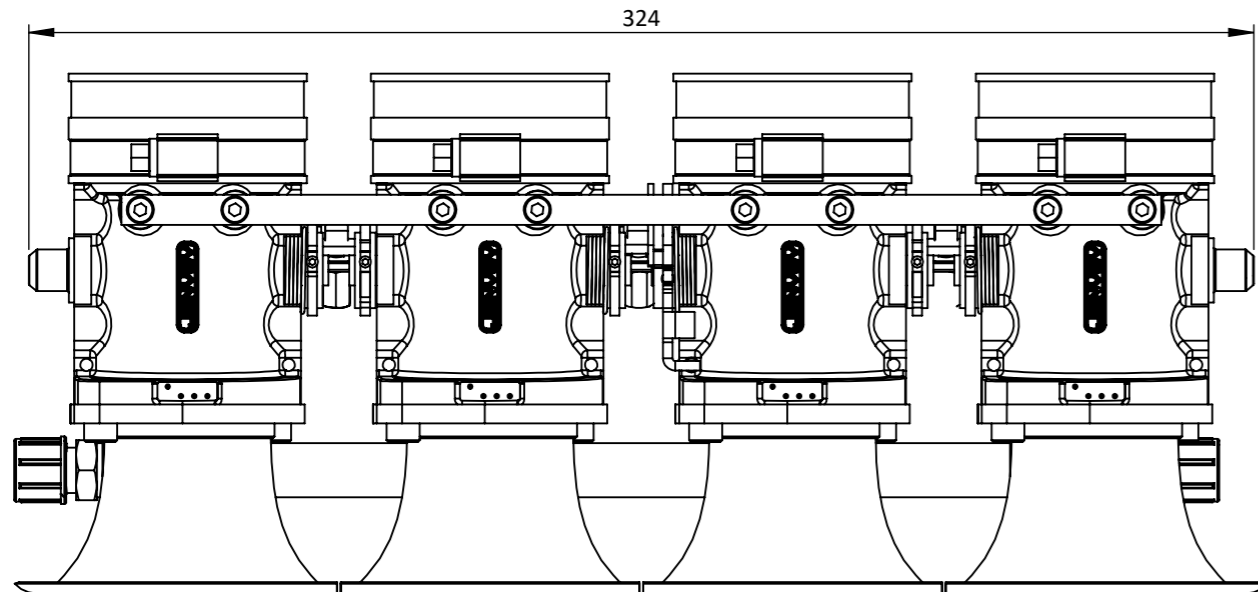
# CKSI01 - SUZUKI HAYABUSA GEN 1 - SS42 TAPER KIT



Engineered to win



CABLE PULL LEVER - PQR11



A KIT FOR THE GEN 1 SUZUKI HAYABUSA ENGINE WHICH CONTAINS FOUR 42MM SPIGOT SS BODIES, FUEL RAIL, FUEL RAIL MOUNTS, MOUNTING RUBBERS (DIFFERENT FROM STANDARD) STABILISER BAR AND A SET OF 42MM CARBON AIRHORNS. MADE TO ORDER.

Frame: 1 of 1

Version: 2

Tel 01746 768810

© JENVEY DYNAMICS LTD. 2015

Web WWW.JENVEY.CO.UK

